

InvaVent 200

| Capacity | Type | Model | Installation |
|-------------------|---|--------------|--------------|
| 100m ² | Mechanical Ventilation with Heat Recovery | InvaVent 200 | Wall Mounted |

Key Features

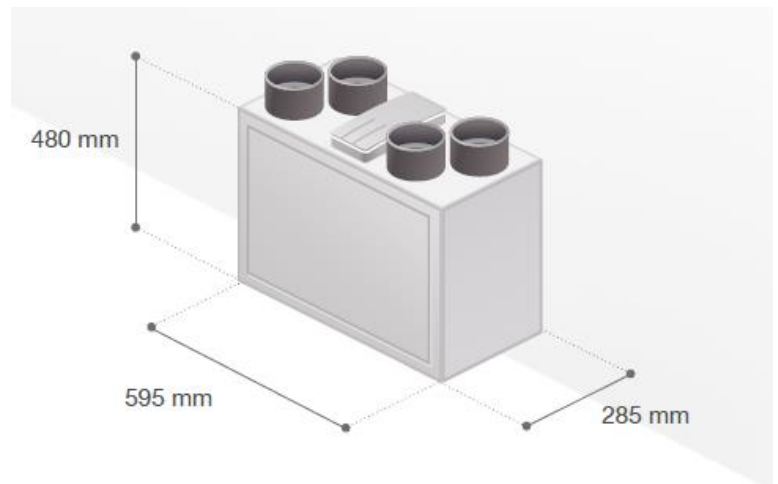
- Ideal for dwelling sup to 100m²;
- Weight 16 kg;
- Minimal Size (width 595 mm);
- Summer By-Pass;
- Digital Controller;
- Automatic Frost Protection.

Constructive Specifications

| | |
|-----------------------------------|----------------|
| Model | InvaVent 200 |
| Code | MH-HR-INVA-200 |
| V-50Hz | 230 |
| W | 96 |
| A | 0.82 |
| RPM | 2800 |
| Max Airflow (m ³ /hr) | 225 |
| Max Airflow (l/s) | 63 |
| Max Pressure (mmH ² O) | 22.7 |
| Max Pressure (Pa) | 223 |
| Max. Working Temperature (°C) | 50 |

SAP Appendix Q - Approved Results

| Configuration | Specific Fan Power | Heat Echa. Efficiency (%) |
|----------------------|--------------------|---------------------------|
| Kitchen + 1 Wet Room | 0.55 | 92% |
| Kitchen + 2 Wet Room | 0.6 | 90 |
| Kitchen + 3 Wet Room | 0.71 | 89 |
| Kitchen + 4 Wet Room | 0.88 | 89 |



Connection Ø 125 mm