

Multi Energy Commercial



Performance		300	400	500	800	1000	1250	1500
Hot Water Capacity (ltr)		289.5	391	497	766	1097	1231	1410
Quantity Of Factory Fitted Immersions		3	3	3	3	2	2	2
Rating Of Factory Fitted Imm. (kW/V)		6/240	6/240	6/240	6/240	6/240	6/240	6/240
Factory Fitted Immersion Type		Titanium						
Number Of Immersion Bosses		4	4	4	4	2	2	2
Max. Allowable Power Outp. Of Imm. (kW)		48	48	48	48	78	78	78
Inspection Flange		Optional				Standard		
Heat Up Time (ΔT 50°C)	min	53	71	89	143	*	*	*
Fact. Fitted	kW	18	18	18	18	12	12	12
Cont. Output - Fact. Fitted	L/hr	281	281	281	281	*	*	*
Heat Up Time (ΔT 50°C)	min	21	29	37	57	49	55	64
Max. Allowed	kW	48	48	48	48	78	78	78
Cont. Output @60°C - Max. Allowed	L/hr	826	826	826	826	1342	1342	1342
Weight Empty (kg)		71.5	72	89	186	188	191	207
Weight Full (kg)		361	463	586	952	1285	1422	1617



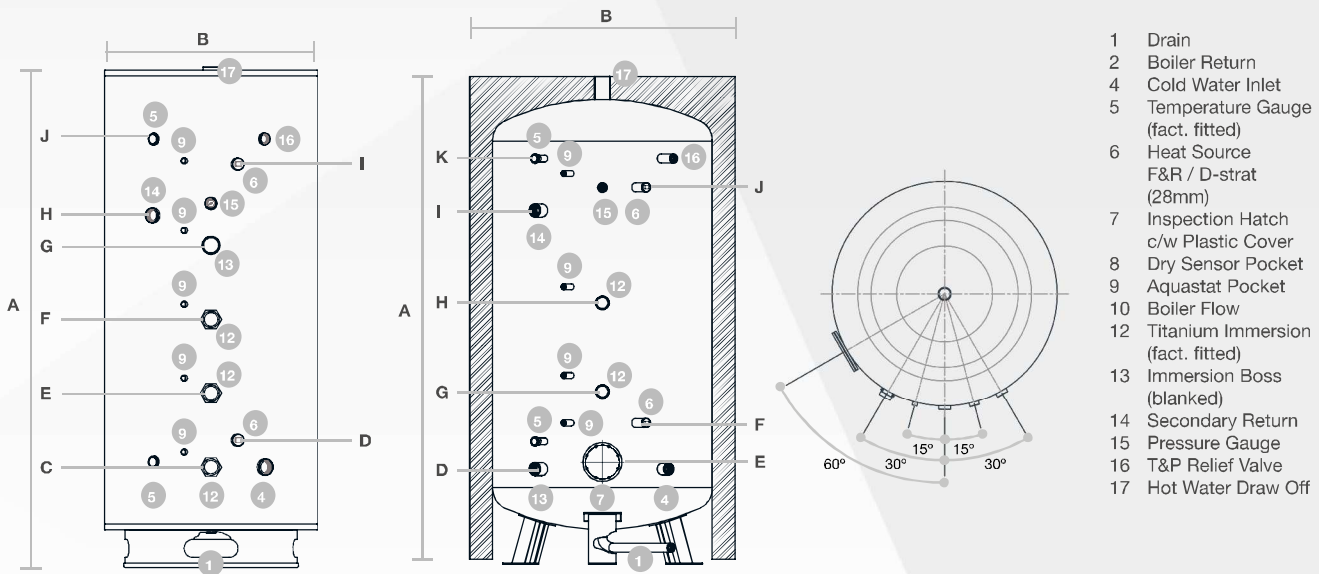
For information on Immersion Heater options see page 71.

* Based on selected immersion capacity at the time of ordering

Connection Sizes & Safety		300	400	500	800	1000	1250	1500
	Hot & Cold Conn. Ø BSP F (")	1.5	1.5	1.5	2	2	2	2
	Coil Connection Ø BSP F (")	1.5	1.5	1.5	1.5	1.5	1.5	1.5
	Secondary Return Ø BSP F (")	1.25	1.25	1.25	1.25	1.25	1.5	1.5
	T&P Connection Ø BSP F (")	1	1	1	1	1.25	1.25	1.25
3 bar	T&P Press. Set. (bar)	7	7	7	7	7	7	7
	Exp. Relief Set. (bar)	6	6	6	6	6	6	6
6 bar	T&P Press. Set. (bar)	10	10	10	10	10	10	10
	Exp. Relief Set. (bar)	8	8	8	8	8	8	8

300 - 800 Ltr

1000 - 1500 Ltr



Dimensions	300	400	500	800	1000	1250	1500
Cylinder Height A (mm)	1670	1670	2030	2050	2170	2200	2400
Cylinder Diameter B (mm)	620	710	710	920	1100	1150	1150
Connection Height C (mm)	335	350	350	445	900	950	950
Connection Height D (mm)	425	440	440	570	515	410	410
Connection Height E (mm)	580	590	665	760	625	440	440
Connection Height F (mm)	830	830	975	1070	845	550	550
Connection Height G (mm)	1075	1090	1290	1385	1215	745	745
Connection Height H (mm)	1175	1190	1550	1640	1615	1130	1255
Connection Height I (mm)	1350	1300	1660	1745	1750	1530	1780
Connection Height J (mm)	1430	1390	1750	1845	1850	1630	1880
Connection Height K (mm)	-	-	-	-	-	1755	2005



Inspection port must be ordered separately. Only standard on Multi Energy cylinders 1000L and over capacity.

ErP	300	400	500	800	1000	1250	1500
Storage volume V in ltr	289.5	391	497	766	1097	1231	1410
Standing Loss (W)	92	102	115	121	124	135	160
Energy Efficiency Class	C	C	C	C	C	C	C